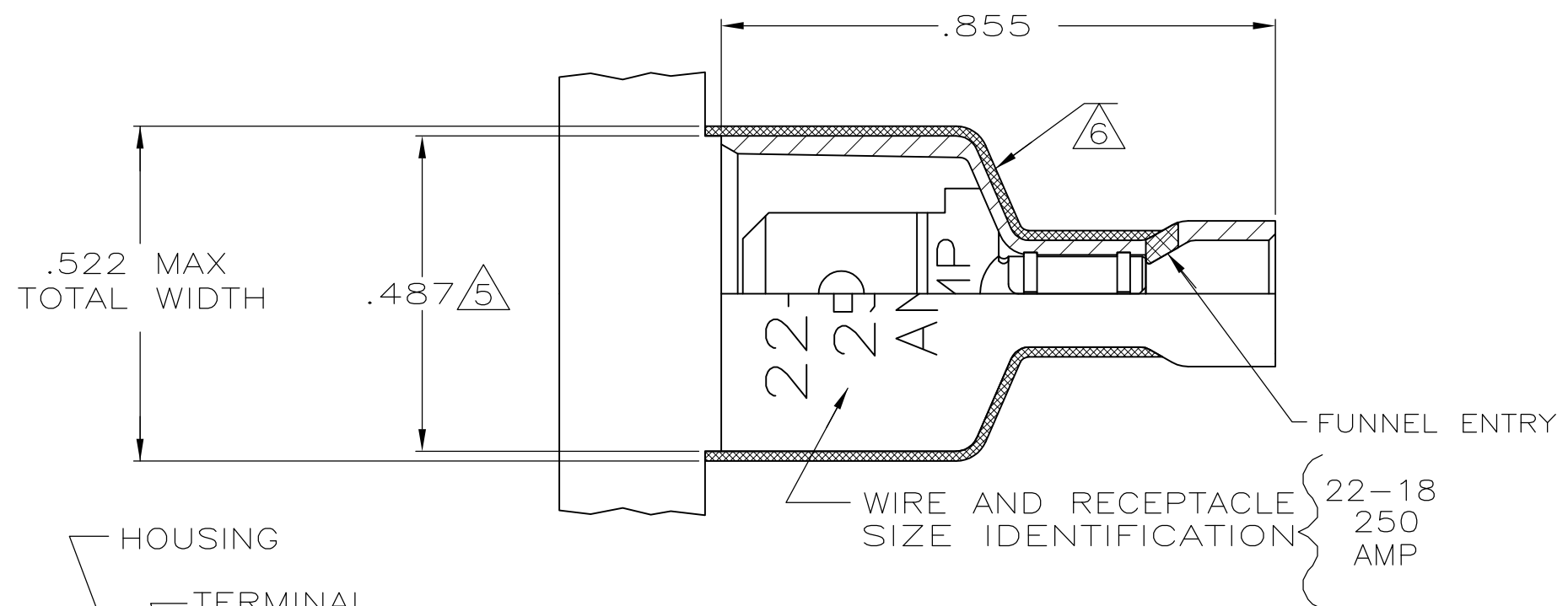
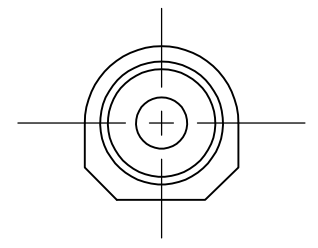
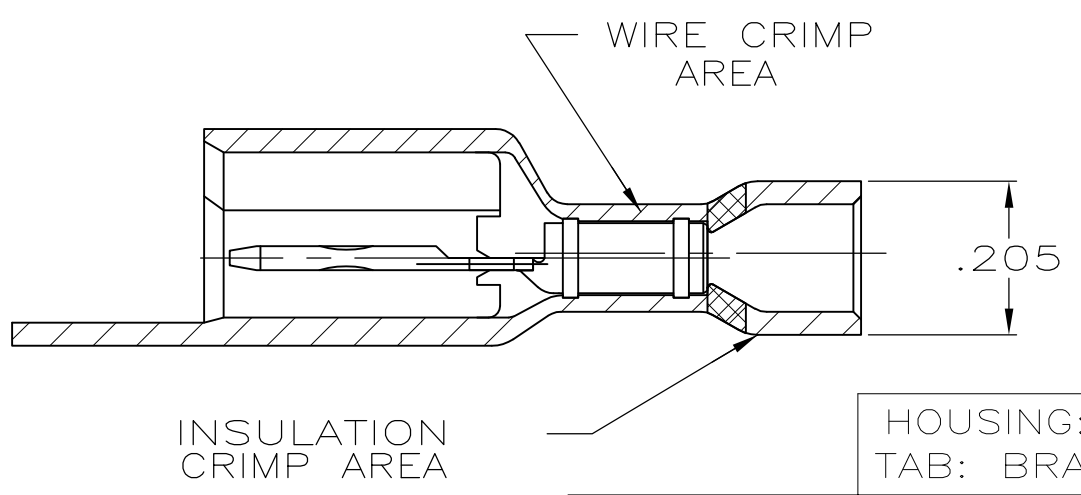
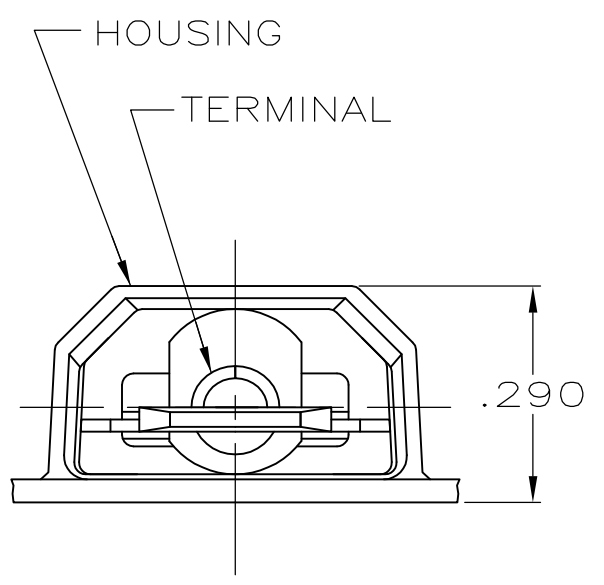


THIS DRAWING IS UNPUBLISHED. RELEASED FOR PUBLICATION
 © COPYRIGHT - By - ALL RIGHTS RESERVED.

LOC	DIST	REVISIONS			
P	LTR	DESCRIPTION	DATE	DWN	APVD
AF	50	H	REVISED PER ECR-13-004343	30JUL13	KH KR



- 1 TAB DIMENSIONS .032±.001x.250
- 2 WIRE STRIP LENGTH .281
- 3 INSULATION SIZE .060-.135 DIA
- 4 CONTINUOUS STRIP ON REELS
- △5 DIMENSION DOES NOT INCLUDE TRIM BURR
- △6 .015 MAX CARRIER TRIM BURR PER SIDE IS ALLOWABLE IN THE SHADED AREA
- △7 OBSOLETE PARTS: OBSOLETE CIS STREAMLINING PER D.RENAUD/D.SINISI



MATERIAL & FINISH	PART NO
HOUSING: NYLON, COLOR-RED TRANSLUCENT TAB: BRASS, TIN	2-521055-2
△7 OBSOLETE HOUSING: NYLON, COLOR-RED TRANSLUCENT TAB: #3 HARD BRASS, UNPLATED	2-521055-1

THIS DRAWING IS A CONTROLLED DOCUMENT.		DWN JR RUTH 3/14/94	STE TE Connectivity	
DIMENSIONS: INCHES		CHK MS FEHER 3/14/94		
TOLERANCES UNLESS OTHERWISE SPECIFIED:		APVD D BRATINA 3/14/94	NAME	
0 PLC ± -		PRODUCT SPEC	TAB ASSEMBLY, ULTRA-FAST, PLUS, .250 SERIES, 22-18 AWG	
1 PLC ± -		108-2017	SIZE CAGE CODE DRAWING NO RESTRICTED TO	
2 PLC ± -		APPLICATION SPEC	A3 00779 C-521055	
3 PLC ± .015		114-2123	SCALE 4:1 SHEET 1 OF 1 REV H	
4 PLC ± -		WEIGHT -		
ANGLES ± -		CUSTOMER DRAWING		
FINISH SEE TABLE				